

Code	41PNK60P1
Family	PK
Group	Peripheral
Typology	Surface

Extra UE Only	No
Uses	Household

Application limits

Liquid Type	Clean Water
Minimum liquid temperature	-10 °C
Maximum liquid temperature	60 °C
Maximum Chlorine Content	- ppm
Maximum Sand Content	- ppm
Manometric suction lift	7 m
Maximum immersion depth	- m
Maximum Ambient Temperature	50.0 °C
Minimum Ambient Temperature	- °C
Maximum Working Pressure	6 bar

Duty Point

Flow rate (actual)	0.000 l/min
Head (actual)	0.000 m

Pump nameplate data

Flow rate	5 - 40 l/min
Head	38 - 5 m
Maximum head	40 m
Minimum head	5 m
Minimum Efficiency Index	-

Construction and safety standards

- EN 60335-1, IEC 60335-1
- EN 60034-1, IEC 60034-1

Connections

Type of connection	Gas threaded
Size of suction connection	1"
Size of delivery connection	1"

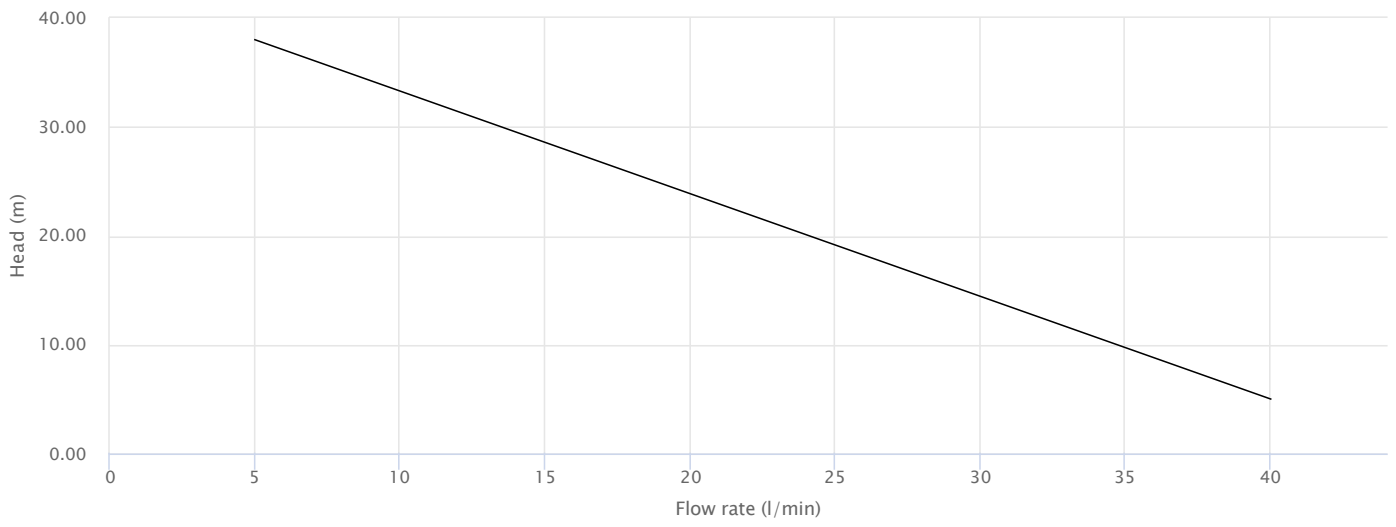
Input Data

Rated flow rate (requested)	0.000 l/min
Rated head (requested)	0.000 m
System geodetic head	0.000 m
System friction losses	0.000 m
NPSH Available	0.000 m
Liquid	Water
Temperature	20 °C
Density	998.1 kg/m ³
Kinematic Viscosity	1.00 mm ² /s
Vapour Pressure	2,318 Pa

Motor nameplate data

Voltage	220 V
Phases	1
Frequency	60 Hz
Rotation Speed	3450 rpm
Rated output power	0.37 kW
Rated Current	2.6 A
Input power P1	0.55 kW
Efficiency grade	Undefined
Capacitor	10 µF
Capacitor Voltage	450 V
Insulation Class	F
Enclosure class IP	X4

Performance



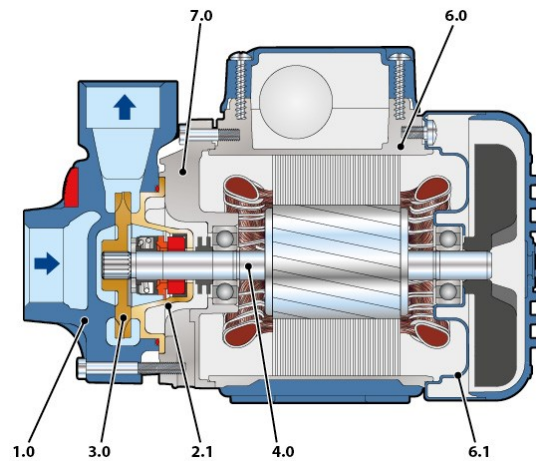
Construction

Bearings

Motor bearing - pump side	6201 ZZ
Motor bearing - opposite side	6201 ZZ

Shaft Seal

Seal Type	Single mechanical seal
Pump Side Model	AR-12
Diameter PS	12
Stationary Ring PS	Ceramic
Rotating Ring PS	Graphite
Elastomer PS	NBR



Materials

1.0 - Pump casing	Grey cast iron GJL 200 EN 1561
2.1 - Casing Cover	Brass CW617N EN 12165
3.0 - Impeller	Brass CW617N EN 12165
4.0 - Pump Shaft	Stainless steel EN 1.4057 (AISI 431)
6.0 - Motor casing	Die cast Aluminium EN-AB 46100
6.1 - Motor Cover	Zinc coated steel DX53D EN 10346
7.0 - Bracket	Die cast Aluminium EN-AB 46100

Dimensions

DN1	DN2	a	f	h	h1	h2	h3	i	m	n2	s	t	w	Kg
[mm]														
1"	1"	38	208	145	56	75	131	20	55	94	7	118	53	5.1

