

ARISTON

The home of sustainable comfort



ELECTRIC WATER HEATERS





The home of sustainable comfort

As a **leading specialist** in heating and water-heating with over 90 years of history, Ariston understands well the challenges in creating practical and high-performance products and systems that guarantee exceptional levels of comfort and efficiency. That is why it has set itself a new mission – **to give more homes access to sustainable comfort solutions** using less energy and effort.

To this end, it has further strengthened its commitment to delivering **high-quality, renewable and energy-efficient solutions** that can simplify and improve the quality of home life while empowering people to live more sustainably.

By successfully combining its global reach with an in-depth focus on the needs of the different markets where it has a presence, Ariston prides itself in being the home of sustainable comfort: a reference brand trusted worldwide by millions of families and industry professionals longing for advanced thermal comfort solutions that **not only are easy to use and maintain but also use as little energy as possible.**

Our story, driven by your needs

Ariston's continuous growth has been fueled by its commitment to provide people with reliable and highly-efficient comfort solutions to improve and enjoy life at home.

Each step of the way we have been driven by the existing and emerging needs of our customers, and our solutions have been conceived with their lifestyle in mind.



'30s

Foundation

Aristide Merloni founds "Industrie Merloni" company in the Marche Region of Italy, and starts the production of weighing scales.

'80s

Heating

We consolidate our market leadership in water heating and the production of boilers begins.

'60s

Water heating

The Ariston brand is launched and the production of electric water heaters begins.



'90s

Global expansion

With the launch in China and Russia, we begin to evolve into a global brand.



'10s

Ariston Comfort Challenge

With this mission, Ariston proved the ability of its products to guarantee exceptional performance, durability and efficiency's levels in every condition, even where it seems impossible. It was a huge challenge, but it was just the beginning.

'00s

Renewable technologies

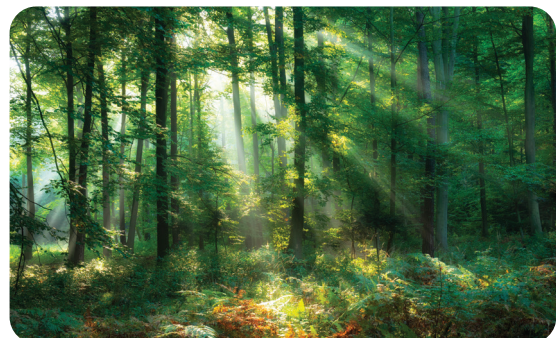
We successfully develop and launch our new model in heat pump, which marks our development into innovative and sustainable heating technology.



'20s

The home of sustainable comfort

We strengthen our commitment to providing our end-users with products that generate heating and hot water in the most efficient and renewable way possible. A tangible sign of our dedication to respecting everything that surrounds us.



Why choose Ariston?

We are a global **thermal comfort specialist**

Standing out as **global leader in heating and water-heating with more than 90 years of expertise**, Ariston boasts an extensive product and service portfolio equally focused on the provision of renewable and high-efficiency heating and hot water solutions. With its

proven ability to meet the local needs of every country where it has a presence, our company is **trusted and welcomed by millions of families around the world**, while also being the **preferred choice for thousands of professionals**.



We are masters of **renewable and high-efficiency solutions**

Sustainable comfort lies at the heart of our company and our commitment is to provide our customers with products and systems that **generate heating and hot water in the most efficient and renewable way possible**, whatever their energy source. Choosing Ariston means gaining access to a broad and comprehensive range of high-performance and easy-to-use solutions that not only will play a significant role in the reduction of energy bills, but also represent the perfect upgrade for a more sustainable home thanks to **smart connectivity and the latest technologies** being developed for environmentally-friendly heating and water heating.



Wide offer in last generation **heat pumps for heating and hot water and solar**

2.5%

of revenues invested annually in **R&D** with growing focus on renewable products*

Efficient

hybrid systems

tailored for every need

79%

of turnover from innovative products (younger than 5 years)*

Commitment to frontier R&D

(Hydrogen, gas absorption heat pump, demand-response, natural refrigerants)

Connectivity in all Heating and Water Heating segments

*The data refer to Ariston group, worldwide portfolio of solutions.

We are dedicated to enduring quality

Our products and solutions are made to last, so are of the highest quality. We achieve this by using the best components and materials available and through rigorous checks taking place before, during and after production. For maximum serenity, **every product we sell comes with a solid warranty**. But not only that; anyone purchasing one of our products can be reassured there will always be a point of contact available to deal with anything. **High standards of quality apply to all our processes and functions**: our facilities are involved in a continuous performance and quality monitoring process, constantly improving every aspect of manufacture, plant maintenance and distribution logistics.



100%

checked and tested products

>95%

of our products require no technical interventions in their first 5 years of service*

High-quality
after-sales service
always available

Effective
warranty
guarantees

*The data refer to Ariston group, worldwide portfolio of solutions.

We are champions of **home and planet**

Italian in origin, since its founding in 1930 Ariston has been synonymous with innovation and sustainability and has been **driven by the mission to make every home a haven of comfort** – while maintaining a strong focus on the environment. As a leading global brand, we now feel at home

in almost every part of the world. And because we see **the world as the home we all share**, we develop products and solutions that represent an accessible and effective way for anyone to improve and enjoy life at home while making more responsible and energy-conscious choices.



SUSTAINABLE DEVELOPMENT GOALS



The economic, social and environmental impacts generated through Ariston Thermo Group's operations contribute towards 9 of the 17 sustainable development goals, including:

Sustainable cities and communities

Ariston Thermo Group's commitment to energy-efficient solutions will enable citizens to use clean energy to its fullest potential. Replacing low-efficiency products with Ariston's new high-efficiency technologies will allow to curb carbon dioxide emissions by more than 3,4 Mln tons by 2022*.

Responsible consumption and production

All of our production plants around the world are at the centre of Ariston Thermo Group's energy efficiency plan. This consists in a long-term strategy that in 2019 allowed the Group to achieve a remarkable result: over 10,000 tons of CO2 equivalent avoided thanks to the energy efficiency of the production processes.

Climate action

During 2019 the Ariston Comfort Zone, a modular house equipped with Ariston's most advanced and efficient technology, enabled a group of researchers from the University of Copenhagen tasked with studying how climate change is affecting the Arctic ecosystem to conduct 22 new studies.



Pre-Sales and After-Sales technical support

Our services

We are always at your side In all phases of the realization of a project.

From the design of a plant, to the construction of the system itself and even after commissioning, a team of Ariston specialists is constantly available to provide support and assistance.

Pre-Sales

A team of technicians and engineers offer their support and their experience in the design of key-on-hand solutions, providing them with products, designs and maintenance services.

Technical Consultancy Center

The Technical Consultancy Center provides every day specialist consultancy and timely responses on the technical characteristics of installations.

The technical team is the right interlocutor with whom interface for design and maintenance of complex plants.

After-Sales

Our qualified Service Network provides technical support for startup, maintenance, troubleshooting and repair interventions, by remote and on field as well.

Our mission is to deliver high level of service, through solid know-how and quality of genuine spare parts, in order to ensure the Ariston products performance, long term reliability and make them exceed the Customer expectations.

ERP

Are you up-to-date with the new regulations?



Since 26 September 2015, the new European Union regulations define minimum efficiency and energy labelling requirements for boilers, heat pumps, micro-cogeneration, water heaters and hot water tanks.

On 26 September 2018 have been introduced new limits of NO_x emissions, in addition to the efficiency limits already in force. The NO_x limits have been applied to products placed on the market starting from 26 September 2018. Products purchased before that date and already in retail outlets or distribution warehouses can continue to be sold and installed, even though they do not comply with the new requirements.

26.09.2015



A++ (space heating) / **A** (water heating)

Compulsory labelling on space heating and water heating products (energy class)

2017

A+

introduced for domestic hot water production

26.09.2018

26.09.2019

A+++

introduced for space heating



Minimum performance requirements for space heating and domestic hot water production

New limits for NO_x emissions < 56 mg/kWh (for gas fuels)

In this catalogue



Electric instantaneous water heaters

22 / Aures Slim
23 / Aures Multi



Electric storage small capacity water heater

29 / Andris R SASO



Electric storage medium capacity water heater

31 / Pro1 RS SASO



Electric storage big capacity water heater

33 / Ari top



Commercial electric water heaters

36 / Es Extra
37 / Es Extra 5000

Equivalent Capacity value mentioned in this catalogue identifies a product category. Storage volume is specified in technical documents included in the product.



**Electric
instantaneous
water heaters**



With their sleek design, compact size and innovative features, Ariston Electric Instantaneous water heaters are extremely efficient and easy to install. Since they do not have a storage tank, they provide hot water only as it is needed. For instant comfort exactly when you need it.

▲ Aures range

New compact Aures range

Hyper speed, instant comfort



Instant heating technology

Instant comfort and unlimited hot water



Aures electric instant water heater uses electricity to **instantly deliver hot water at the desired temperature** thanks to its compact 0.4 l tank equipped with a **powerful heating element** which heats water as soon as it flows through the unit. Aures is **available in a wide range of power options** (from 2kW to 36 kW) to satisfy any need. With Aures Pro, the water temperature is kept constant at the desired level due to the action of the **high-performing thermostatic technology**.



Aures' compact size allows **simple installation also in narrow spaces** like the shower box or under the sink. **Easy maintenance and quick replacement** of the internal components are ensured.

Energy class A

The ultimate energy efficient solution

Aures is the most efficient way to provide hot water at the point of use. The whole Aures range boasts ErP energy class A, achieving top level of energy efficiency in the electric water heating segment. **All the electricity** taken from the electric network **is converted** into the necessary amount of hot water needed by the user. **The water is not pre-heated** and it is not stocked in a tank: an effective approach to **eliminate heat loss and reduce energy consumption**.

Total safety system

The peace of mind you are longing for

The **double pole Earth Leakage Circuit Breaker (ELCB)** prevents electric shocks, integrating with a total safety device system that **avoids the damage of the product**. If a dangerous voltage is detected, the device will interrupt the electrical circuit as a safety measure. Thanks to the excellent protection of the product against the ingress of water, **Aures Slim single point can be placed inside the shower space**.

Your guide to define the right model for every need

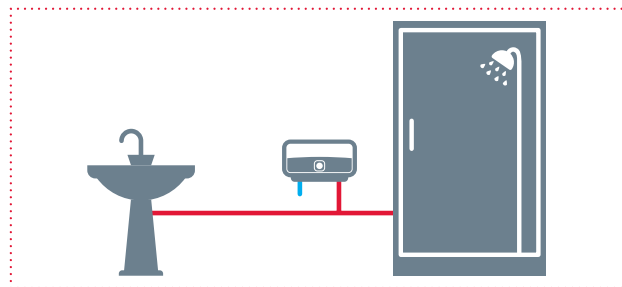
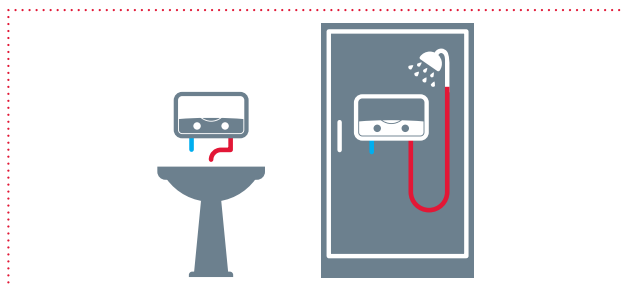
1 Choose the suitable range for your needs and infrastructure

Installation

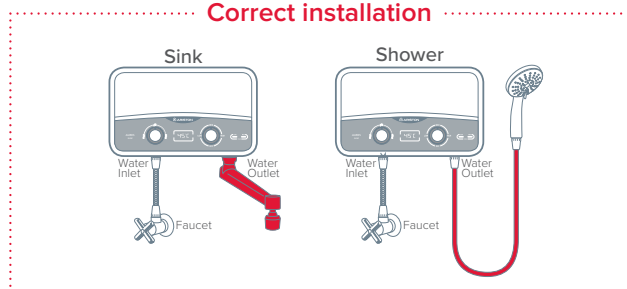
How many water points do you want to supply?

/ One point (Single Point) → Aures Slim range

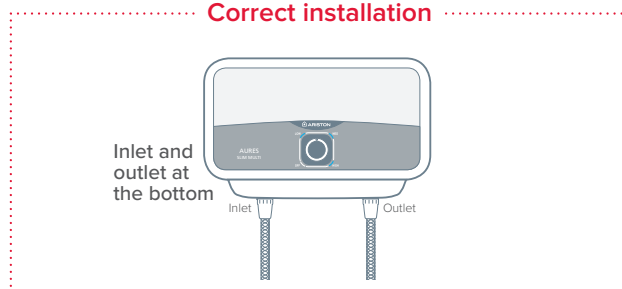
/ More than two points (Multi Point) → Aures Slim Multi & Aures Pro range



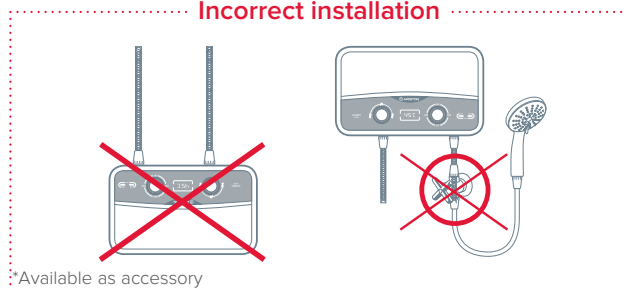
Correct installation



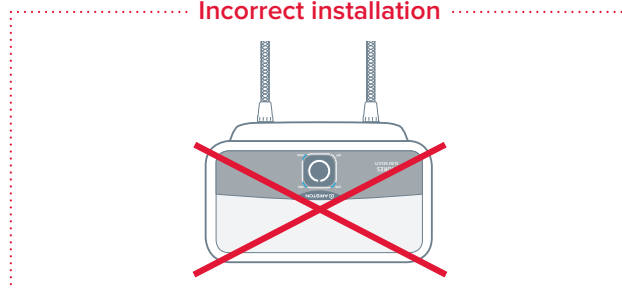
Correct installation



Incorrect installation



Incorrect installation



*Available as accessory

Single Point supplies only one water point directly connected to the appliance (unpressurized)

Multi Point can supply more water points at the same time (pressurized)

Quality Electric Network

Check the electric network features such as Power [kW], Ampere, Phase and the current consumption of the place where the product will be installed.

Usage

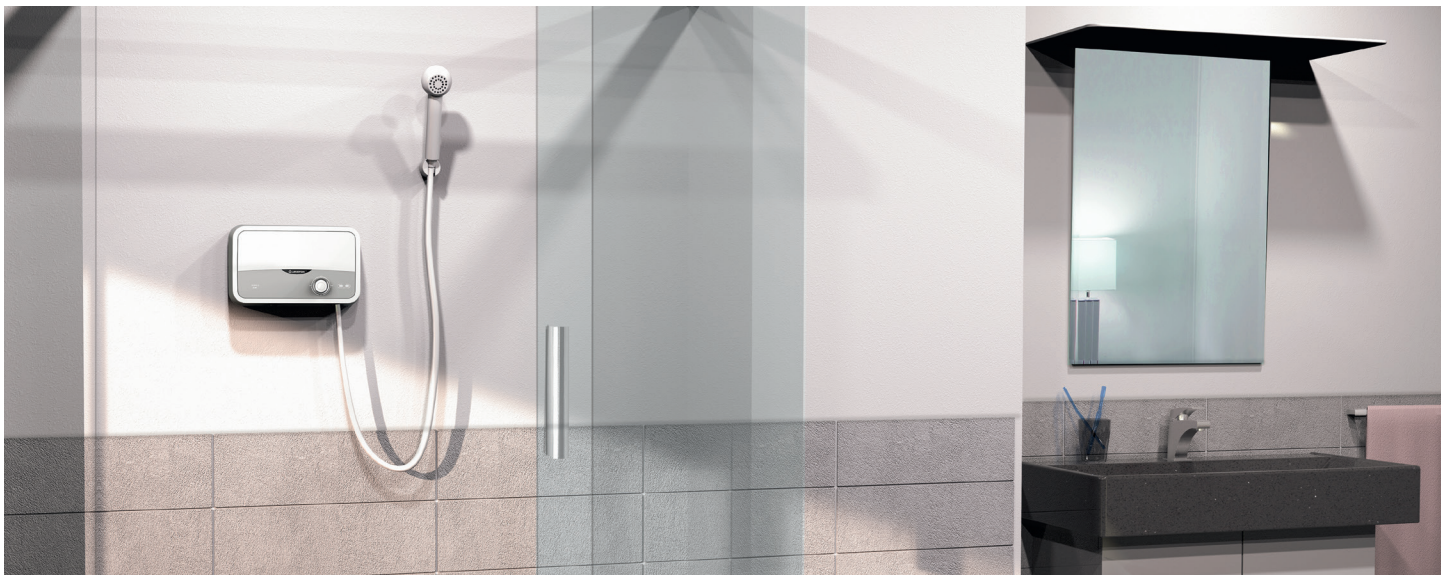
Which water points would you like to use (Tap, Shower, Bath)?

/ Based on the preferred water point the **average temperature** and **water flow** will differ.

/ Refer to the table below to understand the average flow rate for each water point:

WATER POINT	AVERAGE WATER FLOW
TAP	2-4 l/min
SHOWER	5-7 l/min
BATH	12-14 l/min
24	17,2

This is an estimation and it varies according to the geographical location.



2 Identify the right power needed

Which power (kW) is right for you?

There are two external factors which impact the power supply:

/ **Inlet Temperature:** what is your average ground water temperature?

/ **Water Flow:** how much water do you use at your peak time?

Example: the power needed for a simulated flow rate data for Δ Temperature ($^{\circ}$ C) = 20 $^{\circ}$ C, calculated using the formula

$$\text{Power} = \text{Flow Rate} \times \Delta\text{Temperature} \times 0,07$$

POWER [kW]	Δ TEMPERATURE [$^{\circ}$ C]	FLOW RATE [l/min]
4,9	20	3,5
9	20	6,5
12	20	8,6
24	20	17,2

Aures Slim



ITALIAN
DESIGN



COMPACT
SIZE



EXTERNAL
POWER
REGULATION



IP25
WATERPROOF



DOUBLE
SAFETY
THERMOSTAT



SINGLE POINT

Single point instant water heater



- / Flexible installation: with compact design and water protection IP25 it can be installed inside shower box
- / Safe and secure thanks to double thermal cut out thermostat which prevent scalding

Energy Class



Features

- / Easy to install
- / Shower head & tap accessory
- / Knob power setting (4 levels) and 2 LED
- / Italian design
- / Support one water point connected directly to the product

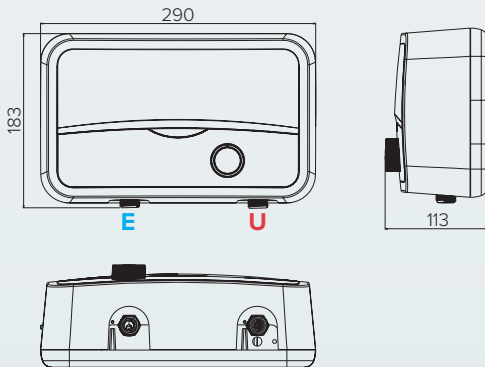
TECHNICAL DATA

**AURES S
7 SH SASO**

Voltage	V	220-240
Power	kW	7kW
Step Power	kW	3+4
Phase		Mono
Ampere at 220V		31,8
Frequency	Hz	50/60hz
Heating element		Copper
MIN Working Pressure	bar	0,3
MAX Working Pressure	bar	8
IP protection degree		IP25
Max working temperature	°C	55
Cable & Plug		No
Shower/Tap kit		A

CODE

3520014-V



KEY

- E \ Cold water inlet G 1/2"
- U \ Hot water outlet G 1/2"

The capacity indicated in this catalogue identifies the product category. The effective capacity of the product is given in the relevant technical documentation provided with the product.

Aures Multi NEW



ITALIAN DESIGN



EXTERNAL POWER REGULATION



COMPACT SIZE



EASY INSTALLATION



ENERGY EFFICIENT



DOUBLE SAFETY THERMOSTAT



MULTI POINT

Multi point instant water heater with premium design

- / Flexible installation: with compact design and water protection IP25 it can be installed inside shower box
- / Safe and secure thanks to double thermal cut out thermostat which prevent scalding
- / Practical thanks to flow sensor which activate the product only when user turn on the tap

Energy Class



Features

- / Easy to install
- / Knob power setting (4 levels) and 3 LED
- / Italian design
- / Support multiple water point connected directly to the product

TECHNICAL DATA

AURES SM 7 SASO

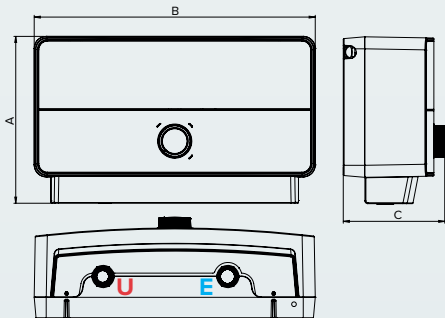
Voltage	V	220
Power	kW	7
Step Power	kW	3+4
Phase		Mono
Ampere at 220V		31,8
Frequency	Hz	50/60
Safety Valve	Y/N	Y
Heating element		Copper
Min flow rate	L/MIN	2,1
MAX Working Pressure	bar	8
IP protection degree		IP25
Max working temperature	°C	55
Cable & Plug		No

OVERALL DIMENSIONS

A	mm	180
B	mm	304
C	mm	110

CODE

3195214



KEY

- E \ Cold water inlet G 1/2"
- U \ Hot water outlet G 1/2"

The capacity indicated in this catalogue identifies the product category. The effective capacity of the product is given in the relevant technical documentation provided with the product.



**Electric
storage
water heaters**



Advanced technologies meet increasingly intelligent performances and unmatched energy savings.

By using different energy sources, Ariston storage water heaters will ensure hot water comfort to all your family.

- ▲ Andris R Saso
- ▲ Dune RS Saso
- ▲ Pro1 RS Saso
- ▲ Ari Top

The electric storage water heater range
designed to provide
The maximum saving and total comfort



ANDRIS R SASO
/ 10-15-30 lt



PRO1 R SASO
/ With external temperature
setting



ARI TOP

/ The best comfort with maximum safety



**Electric
storage small
capacity
water heater**

Andris R SASO



Compact electric water heater for any need

Features

- / Front dial to set temperature
- / Ecological polyurethane insulation
- / Glasslined inner tank tested at 16 bar
- / Anticorrosion Magnesium anode
- / Pressure safety valve tested at 8 bar
- / Copper electric heating element
- / Modern design



**everyday
comfort**



TECHNICAL DATA

ANDRIS R SASO 15

ANDRIS R SASO 30

Nominal Capacity	l	15	30
Installation		Oversink	Oversink
Power	kW	1:2	1.5
Voltage	V	220	220
Heating time ($\Delta T=45^{\circ}\text{C}$)	h:min	0:40	1:03
Heat dispersion at 65°C	kWh/24h	0.61	0.77
Max working pressure	Mpa	0.8-1	0.8-1
Max working temperature	$^{\circ}\text{C}$	70	70
Weight	kg	7.4	11
IP Protection	IP	IPX1	IPX1
Energy Class*		C	D

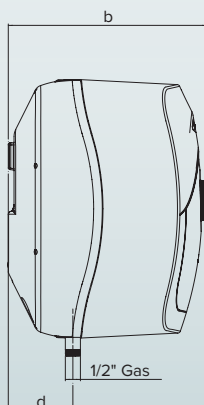
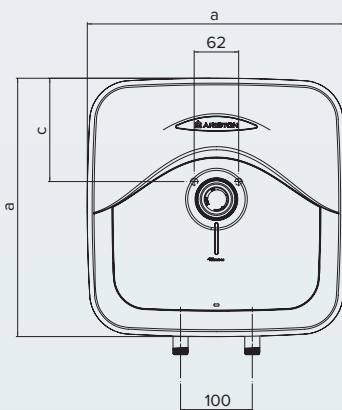
OVERALL DIMENSIONS

a	mm	360	347
b	mm	324	389
c	mm	144	165
d	mm	78	115

CODE

3100577

3100578



NOTE: The Nominal capacity listed in this catalogue identifies the product category. The actual product capacity is listed in the relative technical documentation.



**Electric storage
medium
capacity water
heater**

Pro1 RS SASO



WATER PLUS



EXTERNAL TEMPERATURE REGULATION



DOUBLE SAFETY THERMOSTAT



TITAN SHIELD



HIGH EFFICIENCY INSULATION



ITALIAN DESIGN



Medium electric storage water heater

/ High performances: Up to 16% more hot water available with Waterplus technology

Features

- / External temperature setting
- / Double safety thermostat
- / Robust insulation material (polyurethane)
- / Magnesium anode to fight corrosion
- / High quality titanium enameled tank
- / 7 years warranty
- / Designed in Italy
- / Modern shape with "Ariston wave"
- / User-friendly interface with heating feedback
- / Wall-hung

7 years warranty

* Maximum estimated saving, depending on models. Comparison made using V40 test results at maximum operating temperature between current ATG products and new ATG products equipped with WaterPlus Technology.

TECHNICAL DATA		PRO1 R SASO 50 V	PRO1 RS SASO 80 V	PRO1 RS SASO 100 V	PRO1 R SASO 50 H	PRO1 RS SASO 80 H	PRO1 RS SASO 100 H
Nominal Capacity	l	50	80	100	50	80	100
Installation	V				H	H	H
Size		Regular	Regular	Regular	Regular	Regular	Regular
Power	kW	1.2	1.5	1.8	1.2	1.5	1.5
Voltage	V	220	220	220	220	220	220
Heating time (ΔT=45°C)	h:min	2:10	2:37	2:46	2:10	2:37	3:19
Heat dispersion at 65°C	kWh/24h	0.99	1.35	1.56	1.2	1.48	1.65
Max working pressure	Mpa	0.8/1	0.8/1	0.8/1	0.8/1	0.8/1	0.8/1
Max working temperature	°C	65	65	65	70	70	70
Weight	kg	16	20.5	24	16	20.5	24
IP Class	IP	IPX3	IPX3	IPX3	IPX1	IPX1	IPX1
Energy Class*		D	E	D	D	D	D

OVERALL DIMENSIONS

	mm	50 V	80 V	100 V	50 H	80 H	100 H
a	mm	543	748	900	543	748	900
b	mm	380	585	737	-	-	-
c	mm	-	-	-	163	178	178
d	mm	-	-	-	160	335	487

CODE

3201804

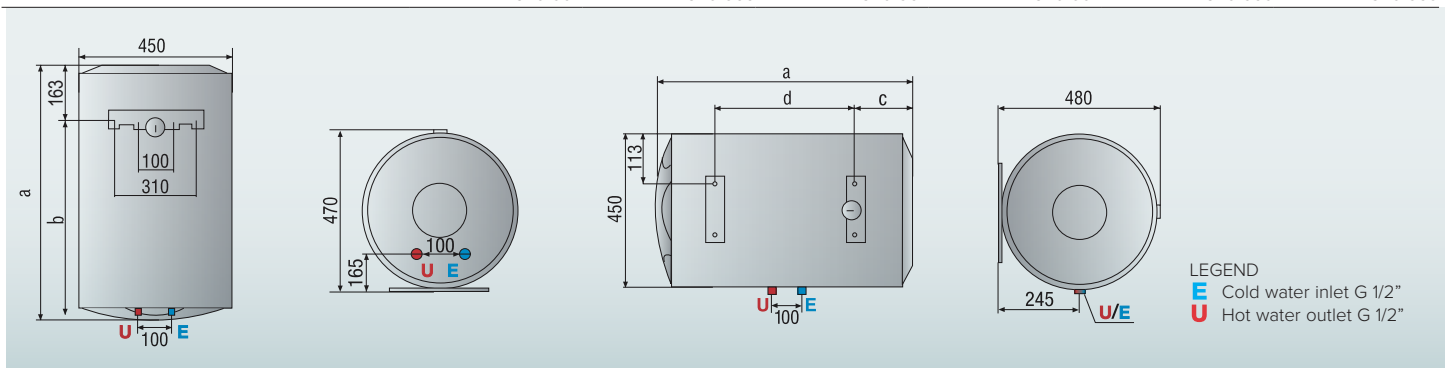
3201566

3201567

3201807

3201568


3201569



LEGEND

- E Cold water inlet G 1/2"
- U Hot water outlet G 1/2"

NOTE: The Nominal Capacity listed in this catalogue identifies the product category. The actual product capacity is listed in the relative technical documentation.

A woman with dark hair tied back, wearing a white tank top, is lying on a light-colored beach chair. She has her eyes closed and a peaceful expression, looking towards the ocean. The background shows blue waves with white foam crashing against a sandy beach. A large red triangle is overlaid on the bottom left of the image, containing white text.

**Electric
storage big
capacity
water heater**



Floor standing big capacity electric water heater up to 300L for big needs

Features

- / Quick heating thanks to the two heating element of 4,5 kW
- / Ecological polyurethane insulation
- / T&P safety valve
- / 10 bar pressure safety valve
- / Titanium glasslined inner tank tested at 16 bar
- / Oversize magnesium anode
- / 5-bolts flange
- / Exclusive Italian design



**two by 4,5kW
heating element**

TECHNICAL DATA

		ARI TOP 160 230V MO	ARI TOP 200 230V MO	ARI TOP 300 230V MO	ARI TOP 300 415V TR
Nominal Capacity	l	160	200	300	300
Power	kW	4,5kW / 4,5 kW*	4,5kW / 4,5 kW*	4,5kW / 4,5 kW*	4,5 kW + 4,5 kW**
Voltage	V	230	230	230	400 - 415
Phase		Mono-phase	Mono-phase	Mono-phase	Tri-phase
Installation		Floor Standing	Floor Standing	Floor Standing	Floor Standing
Diameter	mm	560	560	560	560
Anode		Magnesium	Magnesium	Magnesium	Magnesium
Protection	IP	IPX1	IPX1	IPX1	IPX1
Inner tank		Enameled	Enameled	Enameled	Enameled
Working pressure	bar	10	10	10	10

OVERALL DIMENSIONS

	mm	1089	1331	1857	1857
a	mm	1058	1299	1825	1825
b	mm	238	250	254	254
c	mm	291	310	314	314
d	mm	651	822	1174	1174
e	mm	360	512	860	860
f	mm				

* The heating element will not work together, maximum absorption power of 4,5 kW.

** Heating elements will work simoltanuesly. Max absorbtion 9kW.

CODE

3060339	3060340	3060341	3060344
---------	---------	---------	---------

NOTE: The Nominal Capacity listed in this catalogue identifies the product category. The actual product capacity is listed in the relative technical documentation.

LEGEND

- E** Cold water inlet G 1"
- U** Hot water outlet G 1"



**Commercial
electric
water heaters**

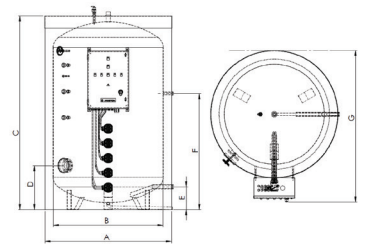


Ariston commercial electric storage water heaters provide flexible and powerful solutions for applications requiring huge water quantity.

▲ ES extra range



- / Flexibility of configuration
- / Quick recovery time
- / Double thermostat
- / Fully pre-assembled product
- / Two types of control panels built-in:
 - Simple panel for an easy control
 - Full panel for a complete overview on working conditions
- / Incoloy 800 heating element with low surface change
- / Oversize magnesium anode
- / Inspection flange for easy maintenance (D = 110 mm)
- / Soft polyurethane insulation
- / Max working pressure of 8 bar
- / Building Management System (BMS): possibility to remote the control panel



TECHNICAL DATA		ES EXTRA 500	ES EXTRA 1000	ES EXTRA 1500	ES EXTRA 2020	ES EXTRA 2500	ES EXTRA 3000
Nominal Capacity*	L	500	1000	1500	2020	2500	3000
Max working pressure	bar	8	8	8	8	8	8
Empty weight	kg	110	190	310	381	461	506
Max heating element	Nr	2	3	3	4	5	5
Cold water inlet		R 2" GM	R 2" GM	R 2" GM	R 2" GM	R 2" GM	R 2" GM
Hot water outlet		R 2" M	R 2" M	R 2" M	R 2" M	R 2" M	R 2" M
Recirculation		R 1 1/2 GM	R 1 1/2 GM	R 1 1/2 GM	R 1 1/2 GM	R 1 1/2 GM	R 1 1/2 GM
Drain		Rp 1 1/4 G	Rp 1 1/4 G	Rp 1 1/4 G	Rp 1 1/4 G	Rp 1 1/4 G	Rp 1 1/4 G
Probe connection		Rp 3/8" G	Rp 3/8" G	Rp 3/8" G	Rp 3/8" G	Rp 3/8" G	Rp 3/8" G
DIMENSIONS							
A	mm	850	990	1200	1400	1450	1550
B	mm	650	790	1000	1200	1250	1350
C	mm	1905	2345	2335	2245	2410**	2420**
D	mm	530	560	595	705	615	540
E: Water Inlet	mm	250	290	365	435	345	270
F: Recirculation	mm	1070	1210	1275	1205	1250	1410
G	mm	1000	1140	1350	1700	1750	1850

*The Nominal capacity listed in this catalogue identifies the product category. The actual product capacity is listed in the relative technical documentation.
 ** with feet installed

PERFORMANCE DATA		500-12	500-24	1000-12	1000-24	1000-36	1500-12	1500-24	1500-36	2020-24	2020-36	2020-48	2500-36	2500-48	2500-60	3000-48	3000-60	3000-80
Power	kW	12	24	12	24	36	12	24	36	24	36	48	36	48	60	48	60	80
Panel***		SB-SF	SB-SF	SB-SF	SB-SF	SB-SF	SB-SF	SB-SF	SB-SF	SF	SF	SF	SF	SF	SF	SF	SF	SF
Voltage	V	400	400	400	400	400	400	400	400	400	400	400	400	400	400	400	400	400
Heating Elements		1	2	2	2	3	2	2	3	2	3	4	3	4	3	4	5	5
Recovery time DT 40°C rise	min.	116	58	233	116	78	349	174	116	233	155	116	194	145	116	174	140	105
Recovery time DT 45°C rise	min.	131	65	262	131	87	392	196	131	262	174	131	218	164	131	196	157	118
Flow rate 40°C rise	l	258	516	258	516	774	258	516	774	516	774	1032	774	1032	1290	1032	1290	1720
Flow rate 45°C rise	l	229	459	229	459	688	229	459	688	459	688	917	688	917	1147	917	1147	1529
First hour delivery 40°C rise	l	608	866	958	1216	1474	1308	1566	1824	1916	2174	2432	2524	2782	3040	3132	3390	3820
First hour delivery 45°C rise	l	579	809	929	1159	1388	1279	1509	1738	1859	2088	2317	2438	2667	2897	3017	3247	3629

*** SB = Basic panel - SF = Full panel

CODE

With soft jacket - Basic panel	3080029	3080081	3080333	3080334	3080335	3080336	3080337	3080338										
With soft jacket - Full panel	3104098	3104099	3104104	3104105	3104106	3104107	3104108	3104109	3080339	3080340	3080341	3080342	3080343	3080344	3080345	3080346	3080347	

The capacity indicated in this catalogue identifies the product category. The effective capacity of the product is given in the relevant technical documentation provided with the product.

Es Extra 5000



- / Flexibility of configuration
- / Quick recovery time
- / Double thermostat
- / Fully pre-assembled product
- / Full panel for a complete overview on working conditions
- / Incoloy 800 heating element with low surface change
- / Oversize magnesium anode
- / Inspection flange for easy maintenance (D= 400 mm)
- / Soft polyurethane insulation
- / Max working pressure of 8 bar
- / Building Management System (BMS): possibility to remote the control panel

TECHNICAL DATA

ES EXTRA
5000

Capacity	L	4901
Max working pressure	bar	8
Empty weight	kg	1030
Max number of heating element	Nr	6
Cold water inlet		R 3" M
Hot water outlet		R 3" M
Recirculation		R 2" M
Drain		R 1 1/2" M
Probe connection		Rp 3/4" M

DIMENSIONS

A: external diameter	mm	1910
B: tank diameter	mm	1750
C: overall height, water outlet pipe	mm	2710
D: water inlet pipe	mm	1105
E: water recirculation pipe	mm	865
F: inspection flange	mm	1805
G: depth	mm	2220

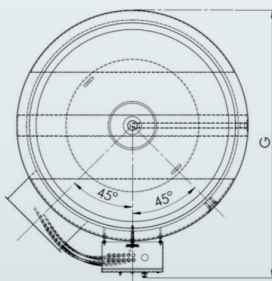
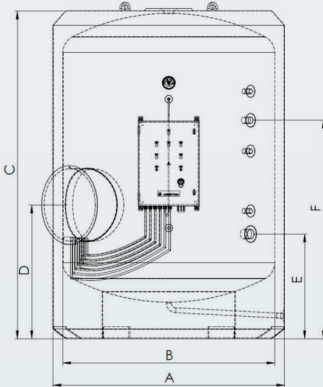
PERFORMANCE DATA

		5000-48	5000-60	5000-80	5000-96
Power	kW	48	60	80	96
Panel***	SF	SF	SF	SF	SF
Voltage		400	400	400	400
Heating Elements		4	5	5	6
Recovery time DT 40°C rise	min	291	233	174	145
Recovery time DT 45°C rise	min	327	262	196	164
Flow rate 40°C rise	l	1032	1290	1720	2064
Flow rate 45°C rise	l	917	1147	1529	1835
First hour delivery 40°C rise	l	4532	4790	5220	5564
First hour delivery 45°C rise	l	4417	4647	5029	5335

*** SB = Basic panel - SF = Full panel

CODE With soft jacket - Full panel

3080348 3080349 3080350 3080351



The capacity indicated in this catalogue identifies the product category. The effective capacity of the product is given in the relevant technical documentation provided with the product.

How to read the symbols

The icons have been designed to facilitate the reading of the features of each product. Ariston makes it possible, from the very beginning, to quickly and easily identify performance levels, understand the different ranges and evaluate purchasing criteria.

In short, users can familiarise themselves with each machine without becoming confused or wasting time, in line with the Ariston philosophy of always offering the customer - and the professional technician - a service which is clear and easy to use.



SUPER SILENT

Silent functioning, respectful of the quiet of your everyday life



ENERGY EFFICIENT

Better exploitation of energy and renewable sources, enhanced performance



ITALIAN DESIGN

The elegant aesthetics is designed in collaboration with Italian designers, an attention to details that dares to be shown off



SYSTEM MANAGEMENT

Manage all Ariston products connected in system thanks to BusBridgeNet® technology



MADE IN EUROPE

Made in Europe



ANTI-CORROSION

Longer durability and high performance thanks to the anti-corrosion Pro-tech technology



EASY INSTALLATION

Installation time and process optimized in cooperation with experts and professionals



SOLAR INTEGRATION

It can be connected in system with Ariston solar-sourced products



MADE IN ITALY

Made in Italy



AG+ COATING

AG+ cartridge technology with antibacterial capability that actively stop the proliferation of E-Coli, Salmonella, Legionella, Mould Fungi & More.



EASY INSPECTION

Large inspection flange for an easier access to the internal components of the products



OUTDOOR INSTALLATION

Designed to be safely installed outside, resistant to all kinds of weather



COMPACT SIZE

Compact design with reduced dimensions for an easy fit at your home



EASY MAINTENANCE

Frontal access to all main components



ECO EVO FUNCTION

Automatic setting of its functioning based on your habits and needs of hot water



ANTI-LEGIONELLA

Automatic water heating cycle to prevent bacterial growth



ANTI-FREEZING

Works at cold temperature



INVERTER TECHNOLOGY

Frequency modulation of the external unit compressor



SOLAR KEYMARK

Compliant with European quality certification for solar systems



ELECTRONIC TEMPERATURE MANAGEMENT

Electronic control panel for easier, more intuitive operation.



TITANIUM PLUS

Longer durability and resistance to corrosion thanks to the Titanium enameling of the water tank



INTEGRATION WITH PHOTOVOLTAIC SYSTEM

Connection with photovoltaic systems



Wi-Fi

Smart Connectivity - Aqua Ariston Net App



WATER PLUS

It keeps the incoming cold water at the bottom of the tank to ensure reduced mixing with stored hot water



ABSOLUTE SAFETY SYSTEM

It is a set of functions preserving the good functioning of the product in case of energy or water failures



INCOLOY ENAMELED HEATING ELEMENT

It is corrosion resistant and reduces limescale



TITAN SHIELD

It is an anti-corrosion and rust-resistant protective technology which prevents the surface from corroding even when it is in contact with warm water



DIGIT DISPLAY

Easy interaction and easy temperature management thanks to the advanced hi-tech digit display



LED DISPLAY

Simple and intuitive multifunction LED display



DOUBLE SAFETY THERMOSTAT

In case of malfunctioning, the precise thermostat blocks heating cycle before reaching too high temperature



HIGH EFFICIENCY INSULATION

Premium and robust environmental-friendly insulation material made up of Cyclopentane



DISPLAY ECO

Frontal led control panel with smart thermometer



SHOWER READY

It shows when enough water has been heated for a shower



i-MEMORY

Function that learns your habits and chooses accordingly the best option between utilizing the renewable energy of the heat pump, and activating the heating element



DRY HEATING ELEMENT

The heating element is not in direct contact with water for long lasting durability and limescale protection



SAFETY PACKAGE

Set of functions preserving the good functioning of the product in case of energy or water failures



HAIL-PROOF

Hail-resistant thick glass



STABLE TEMPERATURE

Outlet temperature remains stable even in the case of flow rate variation



IP25 WATERPROOF

The TOP level in water protection guarantees a safety installation in shower box



CONSTANT TEMPERATURE

Hot water and constant temperature right when you need them, in every condition and regardless of any external factor (water flow, water's original temperature)



SINGLE POINT

It is corrosion resistant and reduces limescale



MULTI POINT

Can supply more water points at the same time (pressurized)



FLAT

Low depth for space saving and easy fitting at your home



ELECTRONIC TEMPERATURE MANAGEMENT

Electronic thermostat ensures an increase of energy saving and prevents scalding thanks to anti-overheating features.



POWER AND TEMPERATURE MANAGEMENT

Flow regulation knob plus temperature regulation knob and 4 steps axial regulation power to set the desired energy consume



MUTIPOSITION

Flexible installation, vertical or horizontal position



PERFORMANCE PLUS

Enhanced performance thanks to the high quality material selection to increase heat absorption and limit heat dispersion



EXTERNAL TEMPERATURE REGULATION EXTERNAL POWER REGULATION

Easy setting of the temperature/power, thanks to the external controller

After-sales service



First class service

Ariston service model is designed to offer efficiency and professionalism to all its customers.



Genuine Ariston spare parts

All Ariston spare parts are built and tested to guarantee the best possible quality and the reliability of your Ariston product. Using genuine Ariston spare parts and components is the only way to keep your system at its best, fulfilling legal and warranty requirements.



Maximum peace of mind

Ariston gives you the assurance of long-term product quality and safety, and in case of any potential problem it ensures that everything will be dealt with quickly and professionally.

Look up the closest service center at ariston.com/ar-sa/
or call the Ariston Customer Service at the **toll-free number 920012456**





ariston.com